

LED GENERATOR

MINI PIXIS

Datasheet EN n°17B



The Mini Pixis is a high power LED generator. Designed to replace the old 35W halogen generation devices. The Mini Pixis and its natural convection cooling system generates no noise disturbance. Associated with energy savings from the LED source, this generator allows substantial gains related to the absence of maintenance. The powerful LED generates no UV or IR. The residual flux is 80% after 50,000 hours of life (B10L80).

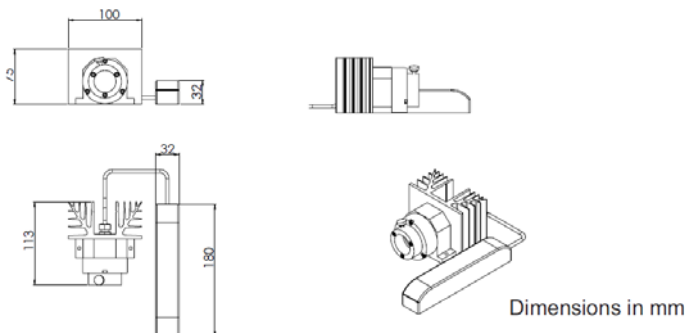
Warranty period 3 years *.



Technical characteristics

Light source	LED
Power consumption	15 W
Fiber optics beam output	Ø 30 mm
Color Temperature	3000K - 4000K
Led luminous Flux	1415 - 1450 lm**
CRI	97 mini - R9 >90
Maintaining Flux at 80% (L80)	50 000 hours at 25°C
Dimming / Control	Dimmer, 1-10V
Cooling	Passive
Materials used	Body : Aluminium – Lens : glass
Finish	Anodized aluminium Black
Weight	0,800 kg

** International standards set the tolerance of the initial flux and the load associated with it at +/-10%. The color temperature is subject to a tolerance of up to +/- 150 Kelvin compared to the nominal value. Unless otherwise indicated, values are applicable for an ambient temperature of 25 °.



* See our warranty conditions at www.spx-lighting.com
The only contractual forms are those available on the site at the time of the order.

1 www.spx-lighting.com

All rights reserved. Reproduction in whole or in part is prohibited, without prior written permission of SPX. Information contained in this document does not contractually bound SPX. Despite the care that SPX has brought to the accuracy and precision of this information, the responsibility for SPX cannot be sought in case of inaccurate information. SPX reserves the right to change this information at any time without prior notice. No liability is accepted by SPX for the consequences of the use of this document. This publication does not imply any transfer of intellectual property rights.

LED GENERATOR

MINI PIXIS

Datasheet EN n°17B

Product reference

Power supply	Control	Power consumption	3000 K	4000 K
Repositioned wire	Fixed	15 W	Réf : GEL00013	Réf : GEL00006
Repositioned wire	1 – 10 V	15 W	Réf : GEL00014	Réf : GEL00008
Repositioned wire	Dimmer	15 W	Réf : GEL00015	Réf : GEL00010

Accessories

Adapter tip Ø 25 (factory fitted)	Ref : ACC00136
Adapter for all types of beams on request	

* See our warranty conditions at www.spx-lighting.com
 The only contractual forms are those available on the site at the time of the order.

2

www.spx-lighting.com

All rights reserved. Reproduction in whole or in part is prohibited, without prior written permission of SPX. Information contained in this document does not contractually bound SPX. Despite the care that SPX has brought to the accuracy and precision of this information, the responsibility for SPX cannot be sought in case of inaccurate information. SPX reserves the right to change this information at any time without prior notice. No liability is accepted by SPX for the consequences of the use of this document. This publication does not imply any transfer of intellectual property rights.

